

# **AutoCarousel® Mini**

## **Semi-Automated Pharmacy Storage System Specification**

AutoCarousels provide secure, automated storage for all of your medications. They are easy-to-use, accurate and their efficient vertical design ensures maximum storage in a compact footprint.

# AutoCarousel Mini Configuration Specifications

Model	121209-48	121209-60
-------	-----------	-----------

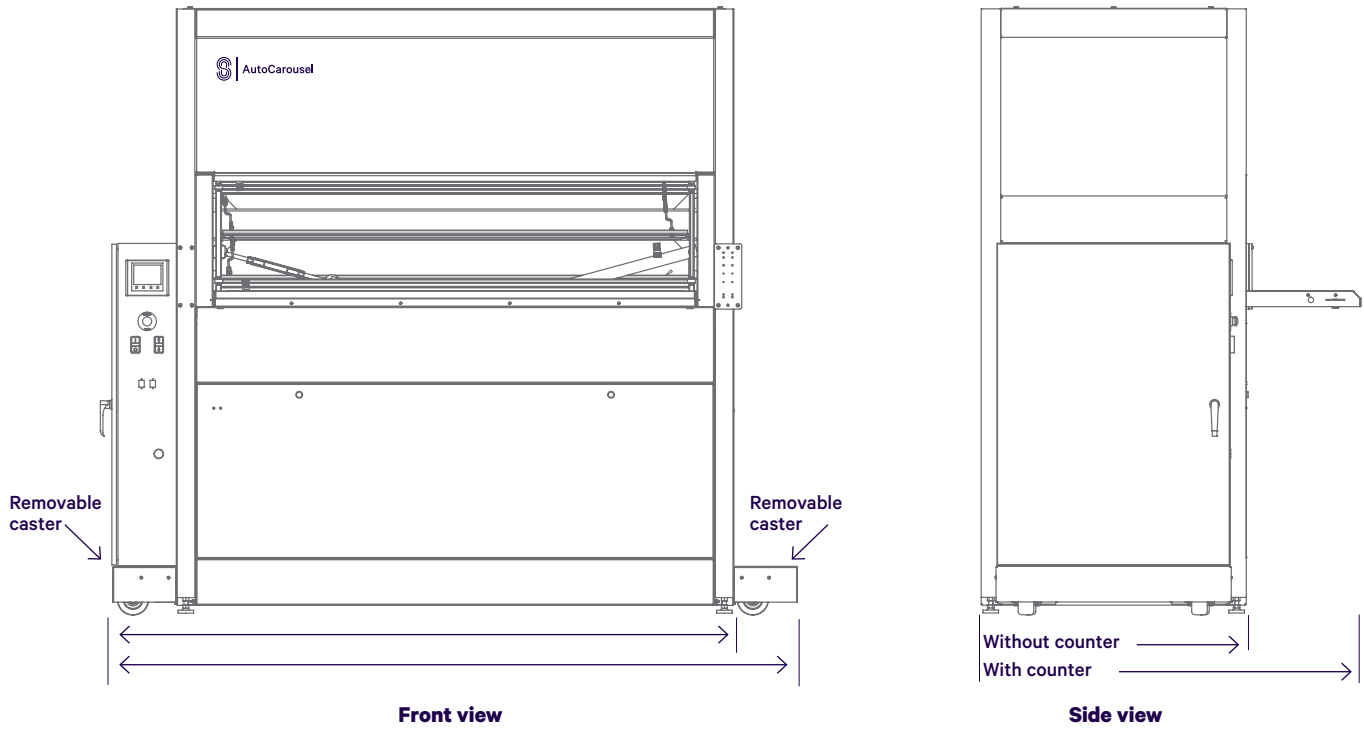
Dimensions		
Unit Overall Height (inches)	78"	78"
Unit Overall Width with Caster (inches)	76"	88"
Unit Overall Width w/o Caster (inches)	68"	80"
Unit Overall Depth w/o work counter (inches)	34"	34"
Carousel Weight with Carriers (unloaded) (lb)	1400	1700

Storage Capacity		
Number of Pans	9	9
Number of Shelves	9	9
Carrier Spacing (pitch)	12	12
Useable Height per Pan (inches)	10.5/5.1	10.5/5.1
Useable Width per Pan (inches)	48	60
Useable Depth per Pan (inches)	12.125	12.125
Maximum Load per Pan (lb)	300	330
Useable Width per Shelf (inches)	48	60
Useable Depth per Shelf (inches)	12.125	12.125
Useable Unit Cube per Carousel (cubic feet)	31	39
Storage Area per Carousel (square feet)	73	91

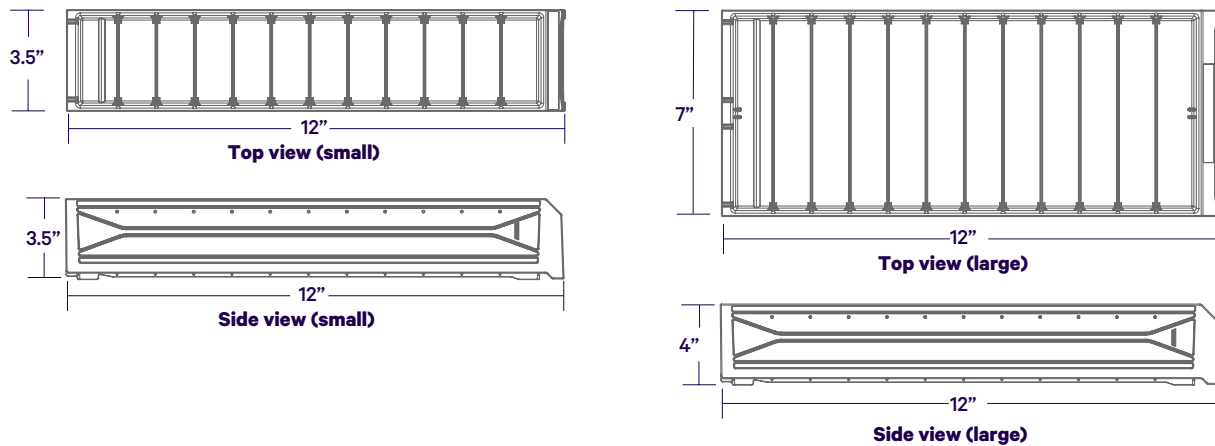
Mini Bins & Dividers		
Mini Bin Small 12" D x 3.5" W x 3.5" H	130	150
Mini Bin Large 12" D x 7" W x 4" H	48	48
Mini Bin Small Divider 3.5" W	390	450
Mini Bin Large Divider 7" W	144	144
Total Equivalent NDC Compartments	712	792

Operation		
Travel Speed (inches/second)	5	5
Average Access Time (1/4 revolution of carousel) (sec)	7.5	7.5
Maximum Imbalance Load (lb)	300	300
Drive Type (hp)	.5	.5

# AutoCarousel Mini



# Mini Bins



# Features

- Limited access
- Pick-to-Light Indicators and barcode verification
- Modular design and on-site assembly
- Accurate inventory management with Pharmacy Manager or AutoPharm® software

## Safety

- E-stop touch bar
- Infrared photo eyes
- Access panel interlock switch and motor overload

## Power Requirements

- Power requirements - main power - 120 VAC 20 amp
- Duty cycle 100%

## Components

- Lockable front door
- Operator interface (centrally located keypad with manual operators)
- Operator display (Ergotron arm ready - right side)
- Control interface
- Work surface type (stainless steel)
- Frame - bolt together modular design
- Operator lighting
- Emergency hand crank or power drill

### CONTACT

Swisslog Healthcare  
healthcare.us@swisslog-healthcare.com  
800.764.0300  
Canada: 877.294.2831 | 905.629.2400  
swisslog-healthcare.com/autocarousel

AutoCarousel and AutoPharm are registered in the US Patent and Trademark office. Swisslog Healthcare systems may be covered by one or more patents. See [swisslog.com/patents\\_for](https://www.swisslog.com/patents_for) details. Swisslog Healthcare conducts ongoing product improvements, therefore technology designs may change without notice or obligation. ©2022 Swisslog Healthcare NAM EN 082022 ACS-201

