

**i-Rolly™**

*Spool up*  
medications in  
order to free  
up technicians.

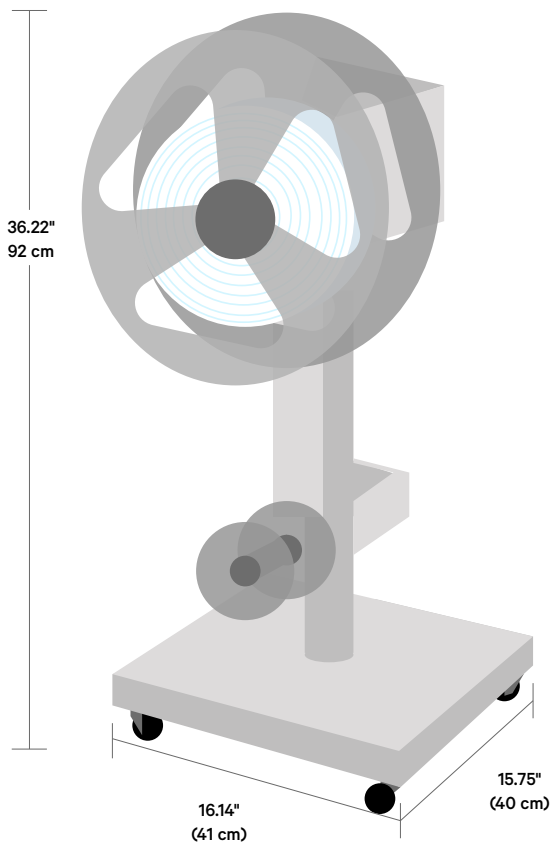


**i-Rolly**

## **Automated Pouch Spooler for AutoPack™**

The i-Rolly automated pouch spooler wraps packaged medications produced by AutoPack automated oral solid packager on a compact bobbin. Automatically winding up to 500 pouches into a tidy roll at the speed of 80 pouches per minute, the i-Rolly supports maximum efficiency in hospital pharmacies without excessive time from your staff.

# i-Rolly Automated Pouch Spooler Specifications



## Features

- **Ultimate User Control**  
Intuitive control panel for exact system configuration preferences.
- **Flexible Configurations**  
Rotates both clockwise and counter-clockwise, winds between 1-80 rpm, and can be manual or auto tension.
- **Size Options**  
Wrap any size pouch from 50 mm – 95 mm.
- **Compact & Easy to Move**  
Small size on locking wheels for portability and easy placement.
- **Detachable Bobbins**  
Easily installed and detached bobbin for convenient administration.

Dimensions	Height	36.22" (92 cm)
	Width	16.14" (41 cm)
	Depth	15.75" (40 cm)
Weight	System (empty)	39.68 lbs (18 kg)
Power Requirements	Power Supply	11-240V~, 50/60Hz
	Power Consumption	22W
Efficiency	Max Pouch Capacity	500 pouches with 500 mm bobbin
	Max Speed	80 pouches/minute (0-80 rpm adjustable)

## CONTACT

Swisslog Healthcare  
 healthcare.us@swisslog-healthcare.com  
 800.764.0300  
 Canada: 877.294.2831 | 905.629.2400  
 swisslog-healthcare.com/autopack

i-Rolly and AutoPack are trademarks of JVM. Swisslog Healthcare systems may be covered by one or more patents. See [swisslog-healthcare.com/patents](http://swisslog-healthcare.com/patents) for details. Swisslog Healthcare conducts ongoing product improvements, therefore technology designs may change without notice or obligation.

©2025 Swisslog Healthcare NAM EN 022025 APA-205